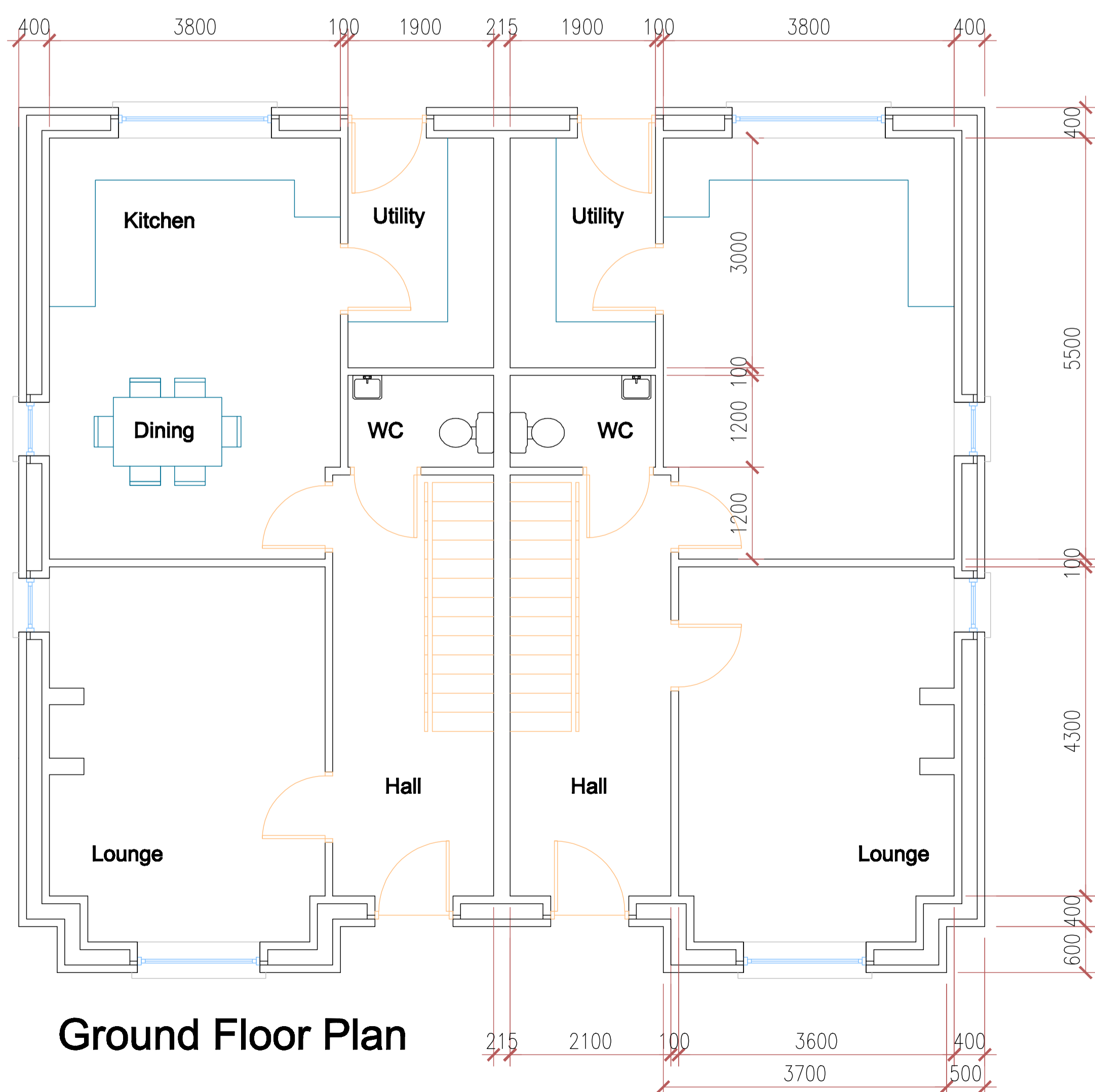
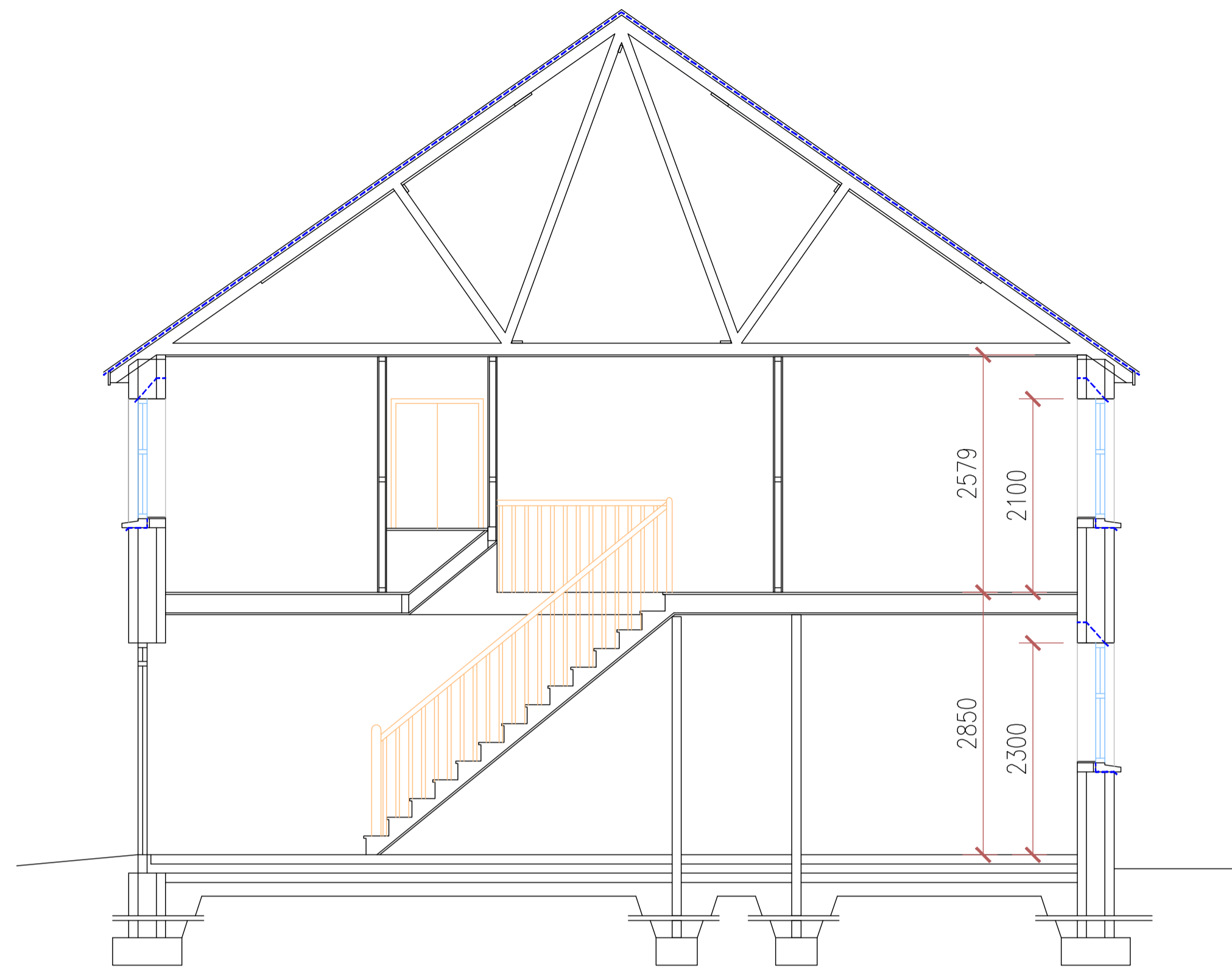


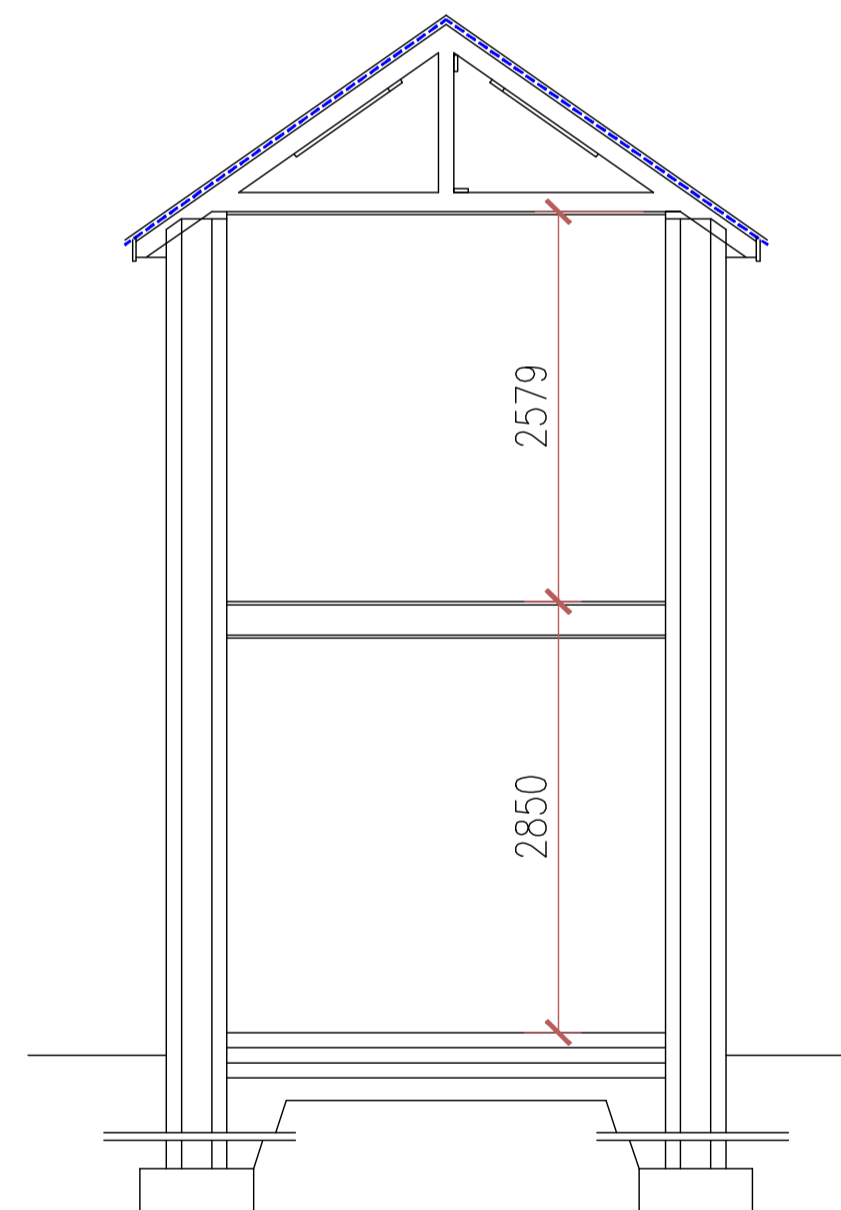
First Floor Plan





Ground Floor Plan



Section A-A



Section B-B

Project: Housing Development Address: Killyliss Manor Eglisish Dungannon Client: MSJ Contracts Ltd Drawing: Plans & Sections		 J Aidan Kelly LTD <small>50 Tullycullion Rd Dungannon Co Tyrone BT170 3LY Tel: 02887767363 Email: info@jakelly.co.uk</small>
Scale: 1:50	Date: April 23	
Job No: 3006-23-100	Revisions:	 CIAT <small>REGISTERED PRACTICE</small>