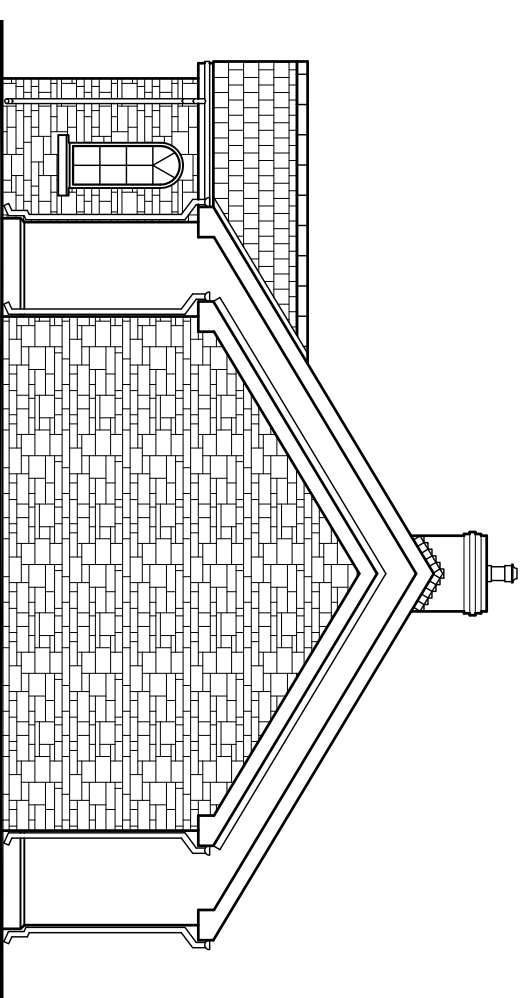
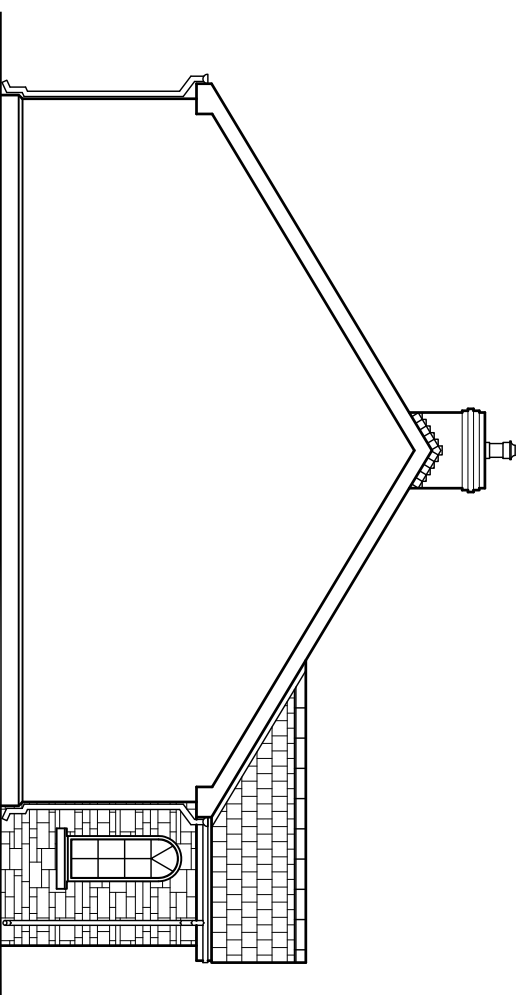


.....front elevation

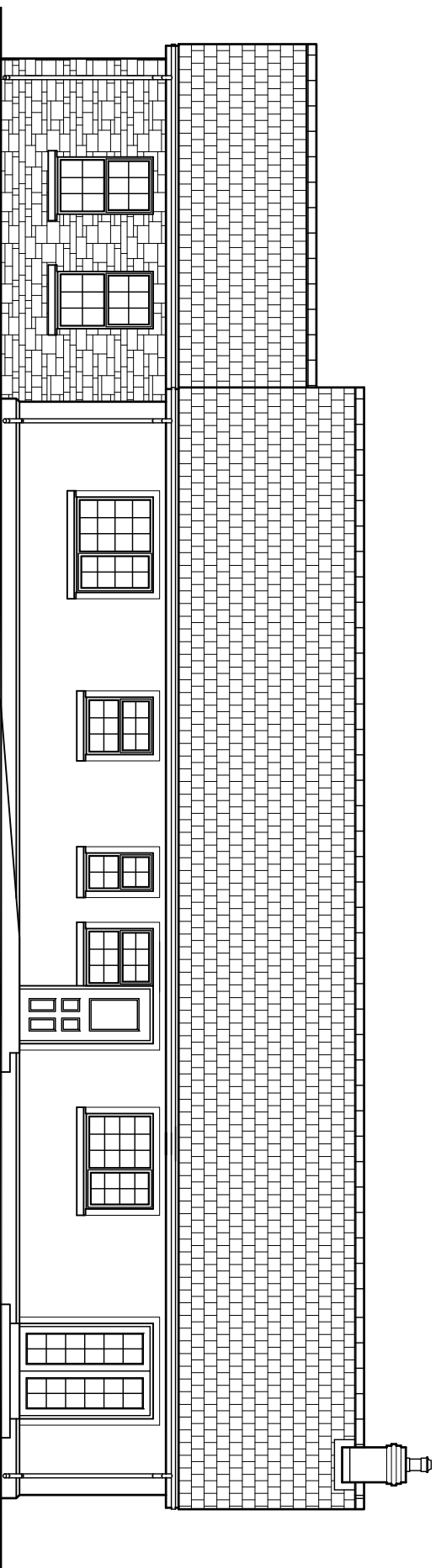


.....side elevation



.....side elevation

-external finishes
- roof**
REDLAND PEAT BROWN TILES
 - walls**
NATURAL SANDSTONE DASH
LIVING, PORCH AND GARAGE
IN NATURAL STONE AS SHOWN
 - windows**
LIGHT OAK UPVC DOUBLE GLAZED
 - chimney**
NATURAL SANDSTONE DASH
 - fascia and barge**
LIGHT OAK UPVC



.....rear elevation

.....david haire
architectural design

46 avenue rd lurgan bt66 7bd
T: 38 344322 M: 07900 278696
email : info@davidhaire.co.uk

title
Proposed dwelling and integral garage
300m NW of 104 blackskull road, dromore
for maldag developments

project
elevations

1 : 100
sep 08
06-164-03

scale
date
dwg