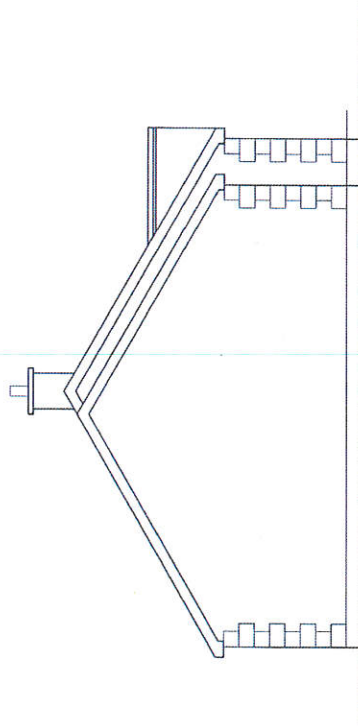
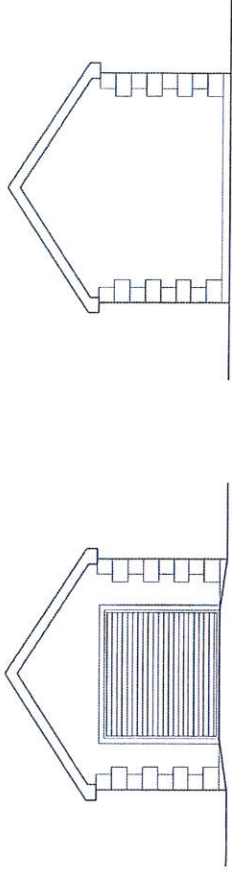


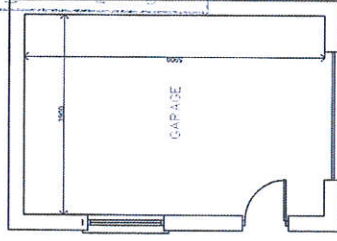
Proposed Side Elevation



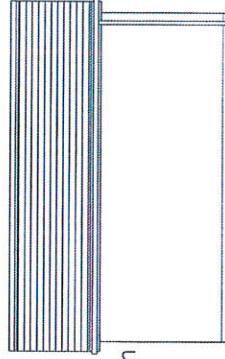
Proposed Side Elevation



Planning Act 2010 Mid Ulster District Council  
**GRANTED**  
 FOR THE REASONS SET OUT ON  
 REASONING FORM NO. **UAS91202106031F**  
 2 DATE **16 July 2021**

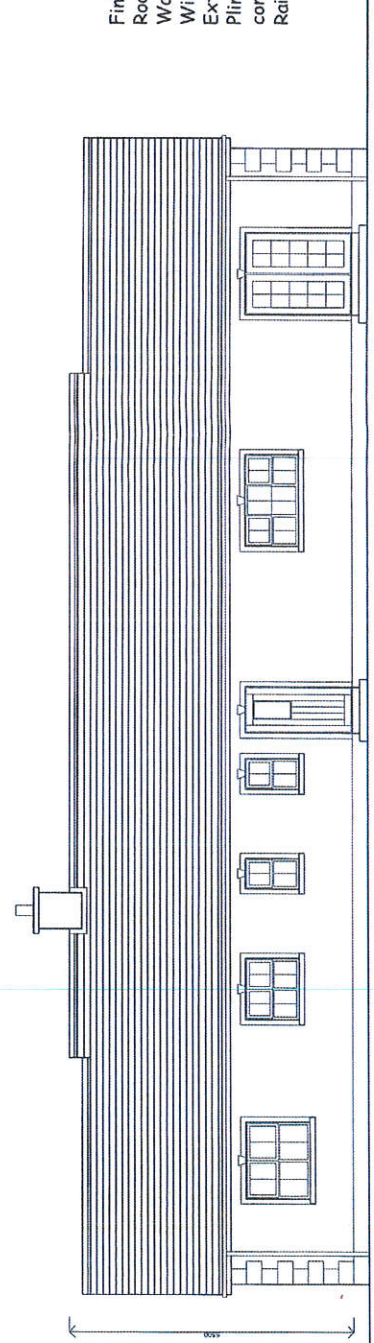


Proposed Garage Plan & Elevation



**UAS91202106031F**  
 Mid Ulster District Council  
 Drawing Number **07**

2 Planning Office RECEIVED  
**23 JUN 2021**  
 File No. **UAS91202106031F**  
 Mid Ulster District Council



Proposed Rear Elevation

Finishes Schedule:  
 Roof: Redland 'Valentia' colour dark grey  
 Walls: Rendered smooth and painted off white  
 Windows: PVCu frames, colour white  
 External Doors: Solid timber.  
 Plinth/Corner Stones: Smooth rendered painted contrasting colour to walls.  
 Rainwater goods to be PVCu colour white

DATE	DESCRIPTION
1	ISSUED FOR TENDER
2	ISSUED FOR TENDER
3	ISSUED FOR TENDER
4	ISSUED FOR TENDER
5	ISSUED FOR TENDER
6	ISSUED FOR TENDER
7	ISSUED FOR TENDER
8	ISSUED FOR TENDER
9	ISSUED FOR TENDER
10	ISSUED FOR TENDER
11	ISSUED FOR TENDER
12	ISSUED FOR TENDER
13	ISSUED FOR TENDER
14	ISSUED FOR TENDER
15	ISSUED FOR TENDER
16	ISSUED FOR TENDER
17	ISSUED FOR TENDER
18	ISSUED FOR TENDER
19	ISSUED FOR TENDER
20	ISSUED FOR TENDER
21	ISSUED FOR TENDER
22	ISSUED FOR TENDER
23	ISSUED FOR TENDER
24	ISSUED FOR TENDER
25	ISSUED FOR TENDER
26	ISSUED FOR TENDER
27	ISSUED FOR TENDER
28	ISSUED FOR TENDER
29	ISSUED FOR TENDER
30	ISSUED FOR TENDER
31	ISSUED FOR TENDER
32	ISSUED FOR TENDER
33	ISSUED FOR TENDER
34	ISSUED FOR TENDER
35	ISSUED FOR TENDER
36	ISSUED FOR TENDER
37	ISSUED FOR TENDER
38	ISSUED FOR TENDER
39	ISSUED FOR TENDER
40	ISSUED FOR TENDER
41	ISSUED FOR TENDER
42	ISSUED FOR TENDER
43	ISSUED FOR TENDER
44	ISSUED FOR TENDER
45	ISSUED FOR TENDER
46	ISSUED FOR TENDER
47	ISSUED FOR TENDER
48	ISSUED FOR TENDER
49	ISSUED FOR TENDER
50	ISSUED FOR TENDER
51	ISSUED FOR TENDER
52	ISSUED FOR TENDER
53	ISSUED FOR TENDER
54	ISSUED FOR TENDER
55	ISSUED FOR TENDER
56	ISSUED FOR TENDER
57	ISSUED FOR TENDER
58	ISSUED FOR TENDER
59	ISSUED FOR TENDER
60	ISSUED FOR TENDER
61	ISSUED FOR TENDER
62	ISSUED FOR TENDER
63	ISSUED FOR TENDER
64	ISSUED FOR TENDER
65	ISSUED FOR TENDER
66	ISSUED FOR TENDER
67	ISSUED FOR TENDER
68	ISSUED FOR TENDER
69	ISSUED FOR TENDER
70	ISSUED FOR TENDER
71	ISSUED FOR TENDER
72	ISSUED FOR TENDER
73	ISSUED FOR TENDER
74	ISSUED FOR TENDER
75	ISSUED FOR TENDER
76	ISSUED FOR TENDER
77	ISSUED FOR TENDER
78	ISSUED FOR TENDER
79	ISSUED FOR TENDER
80	ISSUED FOR TENDER
81	ISSUED FOR TENDER
82	ISSUED FOR TENDER
83	ISSUED FOR TENDER
84	ISSUED FOR TENDER
85	ISSUED FOR TENDER
86	ISSUED FOR TENDER
87	ISSUED FOR TENDER
88	ISSUED FOR TENDER
89	ISSUED FOR TENDER
90	ISSUED FOR TENDER
91	ISSUED FOR TENDER
92	ISSUED FOR TENDER
93	ISSUED FOR TENDER
94	ISSUED FOR TENDER
95	ISSUED FOR TENDER
96	ISSUED FOR TENDER
97	ISSUED FOR TENDER
98	ISSUED FOR TENDER
99	ISSUED FOR TENDER
100	ISSUED FOR TENDER

Project Name: **UAS91202106031F**  
 Project Ref: **UAS91202106031F**  
 Project Date: **16 July 2021**  
 Project Location: **UAS91202106031F**  
 Project Status: **ISSUED FOR TENDER**  
 Project Manager: **UAS91202106031F**  
 Project Engineer: **UAS91202106031F**  
 Project Designer: **UAS91202106031F**  
 Project Checker: **UAS91202106031F**  
 Project Approver: **UAS91202106031F**  
 Project Date: **16 July 2021**  
 Project Location: **UAS91202106031F**  
 Project Status: **ISSUED FOR TENDER**  
 Project Manager: **UAS91202106031F**  
 Project Engineer: **UAS91202106031F**  
 Project Designer: **UAS91202106031F**  
 Project Checker: **UAS91202106031F**  
 Project Approver: **UAS91202106031F**

**DARCON**  
 Architectural  
 Services

Aidan Conroy  
 Telephone  
 07734023955